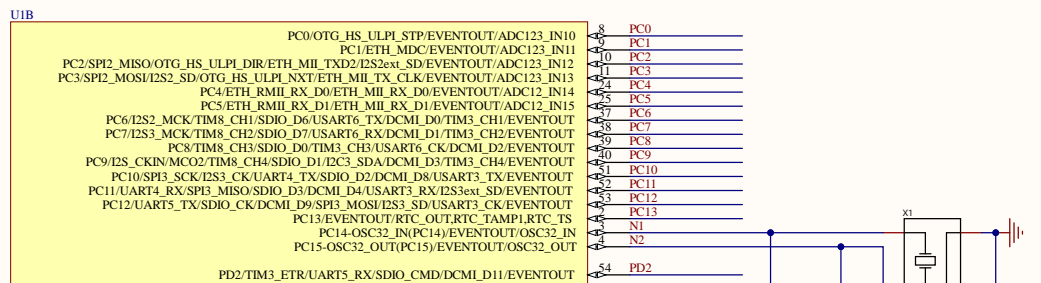
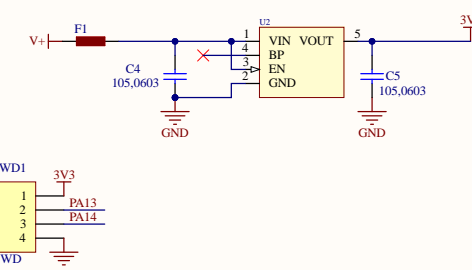
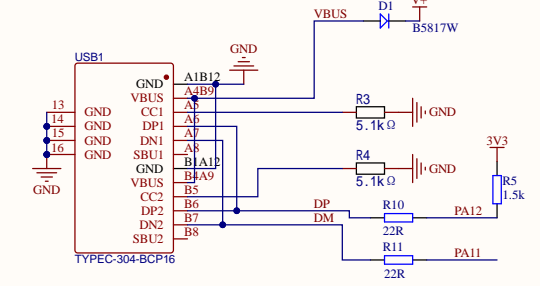
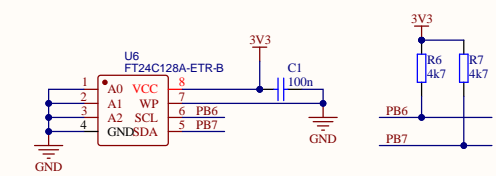
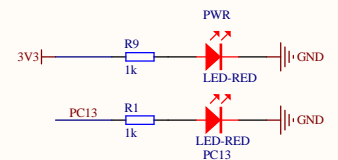
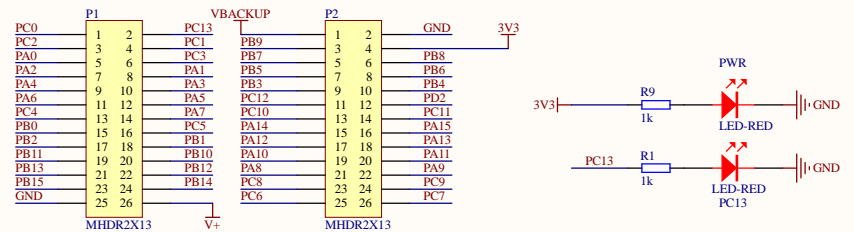
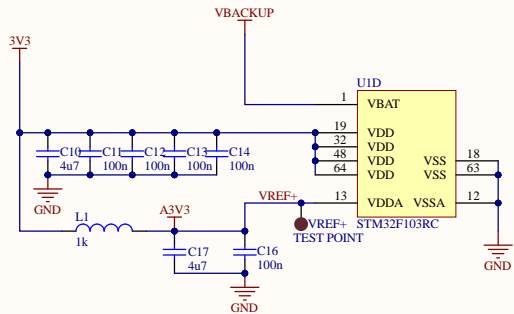
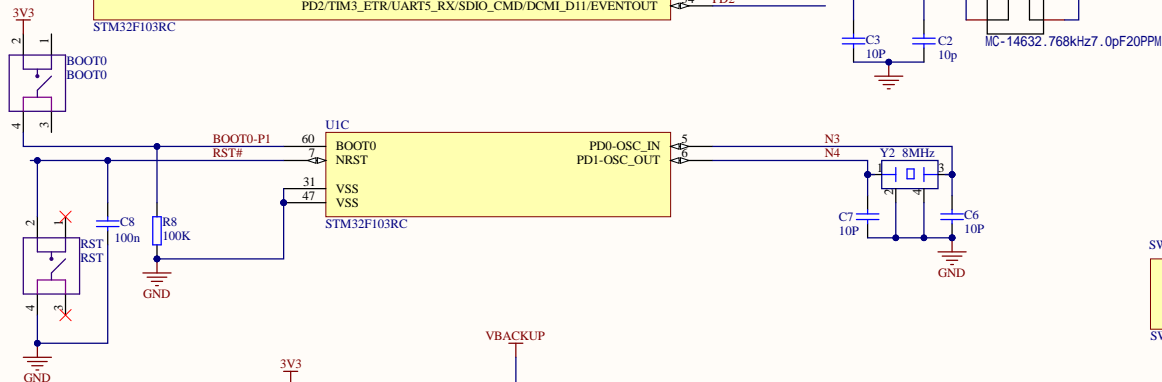


STM32F103RC



STM32F103RC



web:<http://www.vcc-gnd.com/>  
 buy:<https://vcc-gnd.taobao.com/>

Title		
STM32F103RE-mini Core Board		
Size	Number	Revision
A3		
Date:	7/23/2023	Sheet of
File:	E:\2023年硬件设计\YD-Pyboard.Sch	Drawn By: