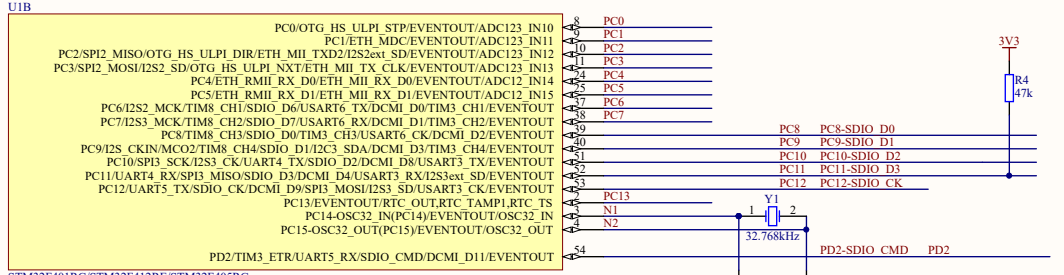
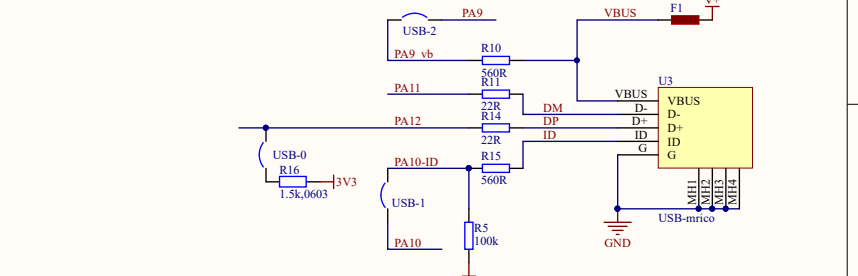
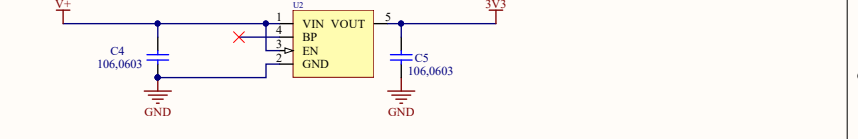
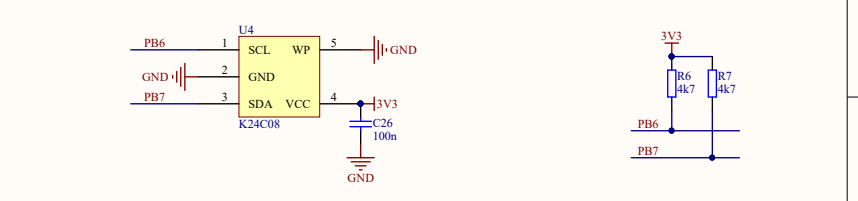
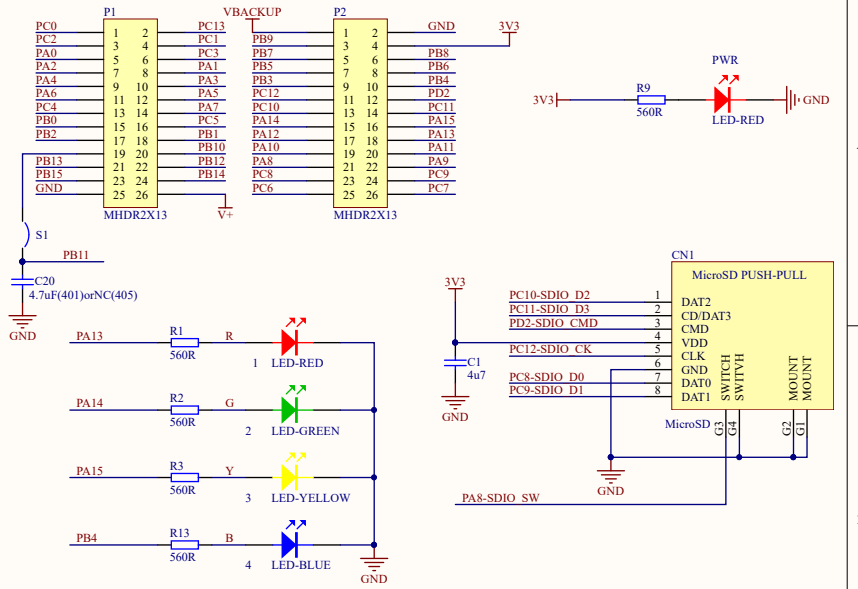
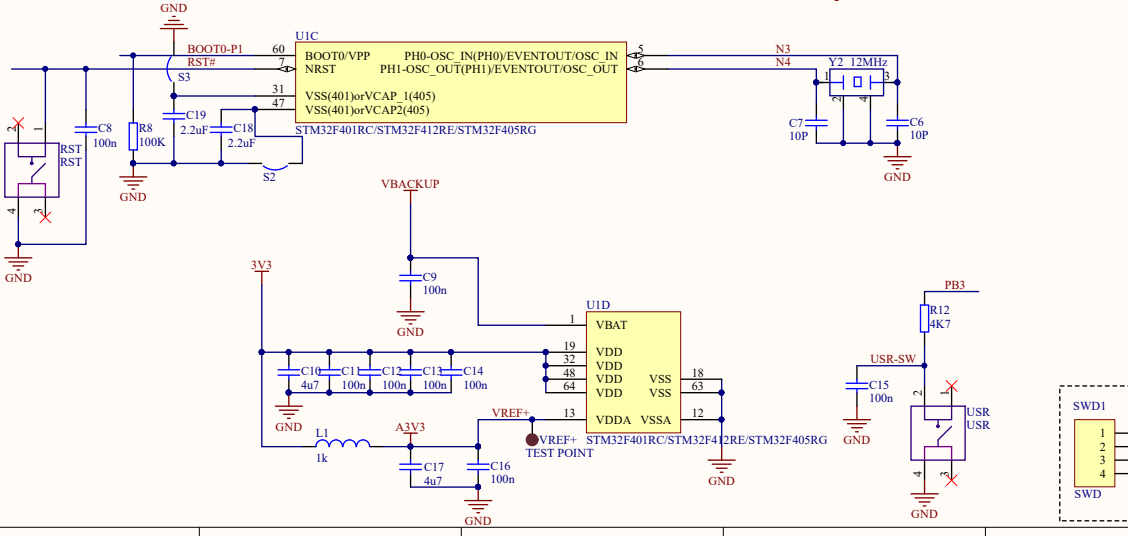


STM32F401RC/STM32F412RE/STM32F405RG

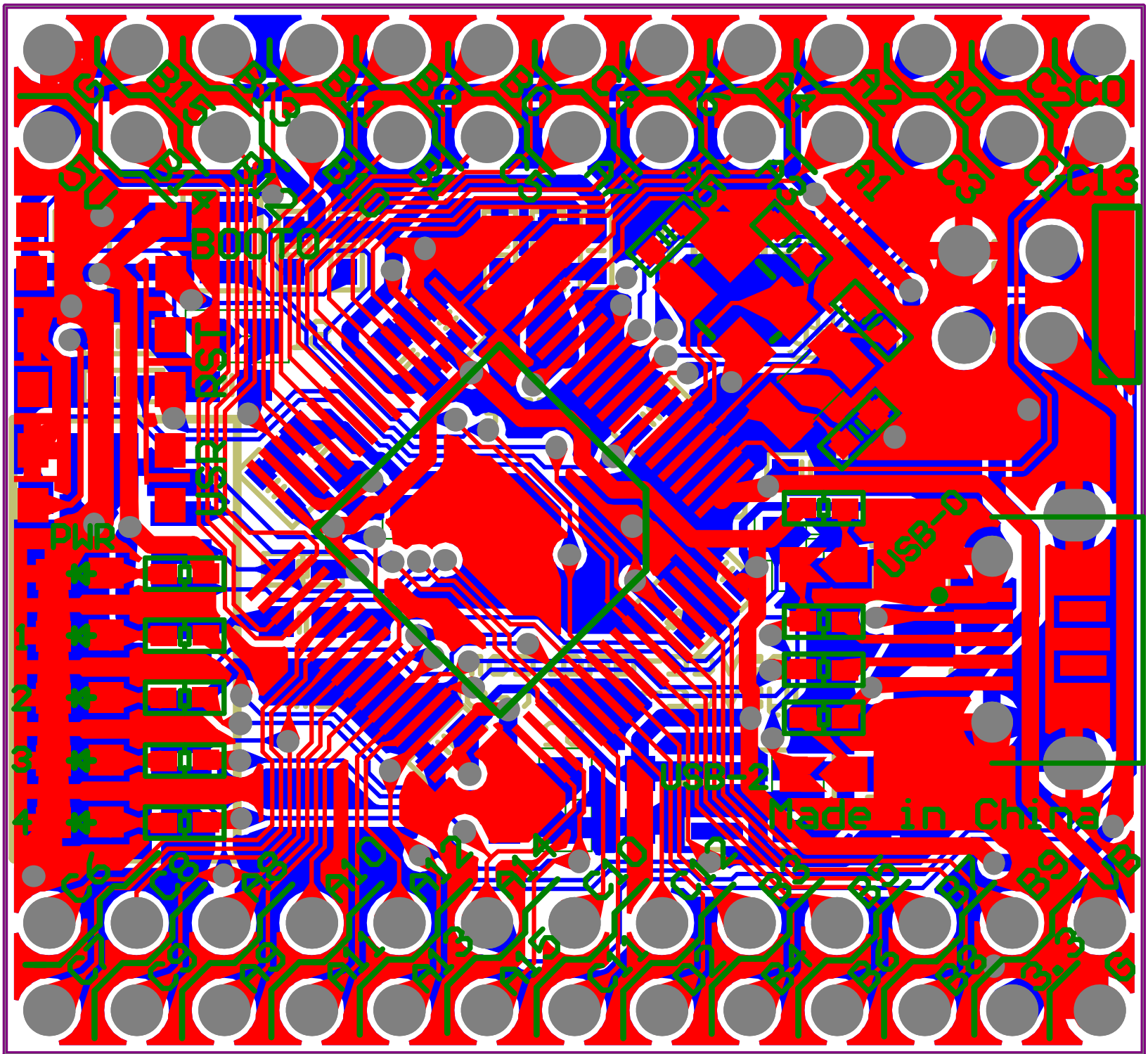


STM32F401RC/STM32F412RE/STM32F405RG



web: <http://www.vcc-gnd.com/>
 buy: <https://vcc-gnd.taobao.com/>

Title		
STM32F401RC/STM32F412RE/STM32F405RG-mini Core Board		
Size	Number	Revision
A3		
Date:	2020/3/31	Sheet of
File:	E:\L\YD-Pyboard.SchDoc	Drawn By:



Comment	Description	Designator	Footprint	LibRef	Quantity
LED-RED		1, PWR	LED0603	LED-RED	2
LED-GREEN		2	LED0603	LED-GREEN	1
LED-YELLOW		3	LED0603	LED-YELLOW	1
LED-BLUE		4	LED0603	LED-BLUE	1
BOOT0		BOOT0	KEY-4P	KEY	1
4u7	Capacitor	C1, C10	C0603	Cap	2
10p	Capacitor	C2, C3, C6, C7	C0402	Cap	4
106,0603	Capacitor	C4, C5	C0603	Cap	2
100n	Capacitor	C8, C9, C11, C12, C13, C14, C15, C16, C26	C0402	Cap	9
4u7	Capacitor	C17	C0402	Cap	1
2.2uF	Capacitor	C18, C19	C0603	Cap	2
4.7uF(401)orNC(405)	Capacitor	C20	C0603	Cap	1
MicroSD		CN1	MOLEX-SD-105027-PKG	SMS016AFA5E	1
MF-MSMF050-2 500mA	BLM21	F1	F0805	L	1
1k	Inductor	L1	L0402	Inductor	1
MHDR2X13	Header, 13-Pin, Dual row	P1, P2	HDR2X13	MHDR2X13	2
560R	Resistor	R1, R2, R3, R9, R10, R13, R15	R0402	Res1_1	7
47k	Resistor	R4	R0402	Res1_1	1
100k	Resistor	R5, R8	R0402	Res1_1	2
4k7	Resistor	R6, R7, R12	R0402	Res1_1	3
22R	Resistor	R11, R14	R0402	Res1_1	2
1.5k,0603	Resistor	R16	R0402	Res2	1
RST		RST	KEY-4P	KEY	1
Circuit Breaker (close)	Circuit Breaker	S1, S2, S3, USB-0, USB-1, USB-2	SB_0603	Circuit Breaker	6
SWD	Header, 4-Pin	SWD1	HDR2X2H	Header 4	1
STM32F401RC/STM32F412RE/STM32F405RG	STM32F405RC	U1	LQFP64	STM32F401RC	1
RT9193		U2	SOT-23-5	RT9193X_5P	1
USB-mrico		U3	MicroUSB-B	usb-STM	1
K24C08	K24C08	U4	SOT-23-5	K24C08	1
USR		USR	KEY-4P	KEY	1
TEST POINT	测试点	VREF+	TP-1.5	TEST-POINT	1
32.768kHz		Y1	FC-135	XTAL	1
12MHz		Y2	3225	CRYSTAL	1