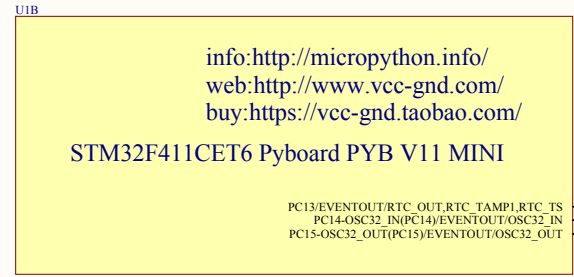
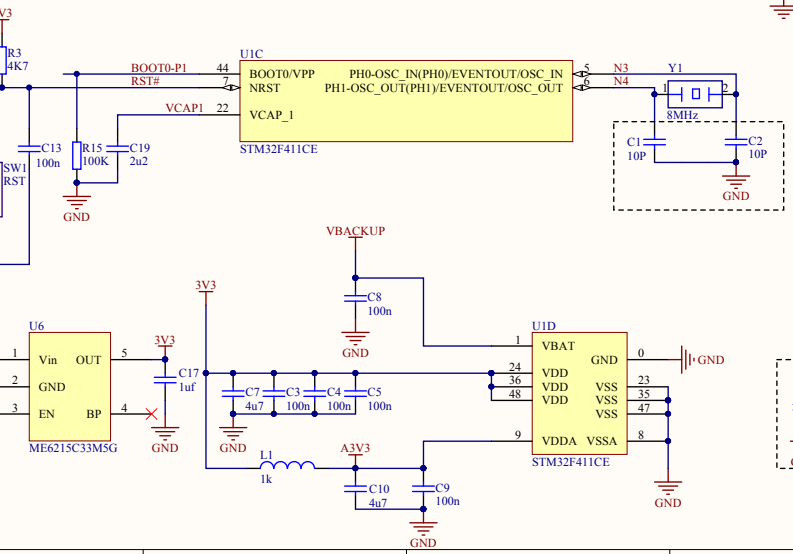


STM32F411CE



STM32F411CE



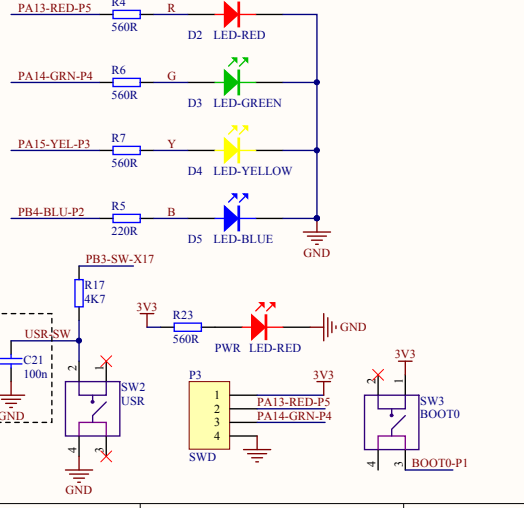
STM32F411CE

info:<http://micropython.info/>  
 web:<http://www.vcc-gnd.com/>  
 buy:<https://vcc-gnd.taobao.com/>

STM32F411CET6 Pyboard PYB V11 MINI

info:<http://micropython.info/>  
 web:<http://www.vcc-gnd.com/>  
 buy:<https://vcc-gnd.taobao.com/>

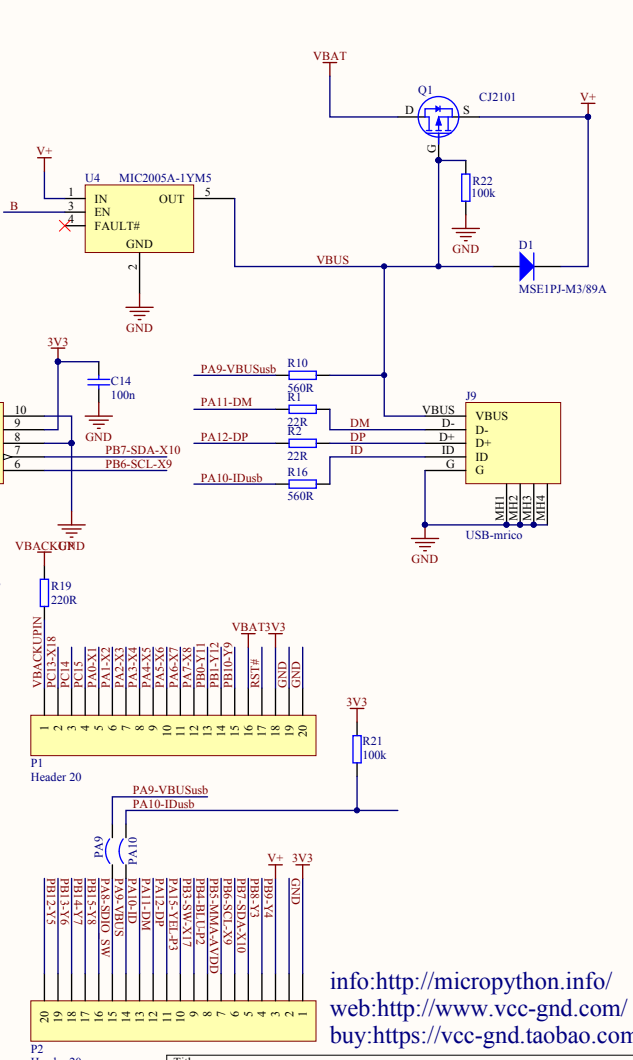
STM32F411CET6 Pyboard PYB V11 MINI



STM32F411CE

info:<http://micropython.info/>  
 web:<http://www.vcc-gnd.com/>  
 buy:<https://vcc-gnd.taobao.com/>

STM32F411CET6 Pyboard PYB V11 MINI



STM32F411CE

info:<http://micropython.info/>  
 web:<http://www.vcc-gnd.com/>  
 buy:<https://vcc-gnd.taobao.com/>

Title		
STM32F411CET6 Pyboard PYB V11 MINI		
Size	Number	Revision
A3		
Date:	2019/5/21	Sheet of
File:		H:\工作项目\pyboard401\YD-Pyboard
Drawn By:		